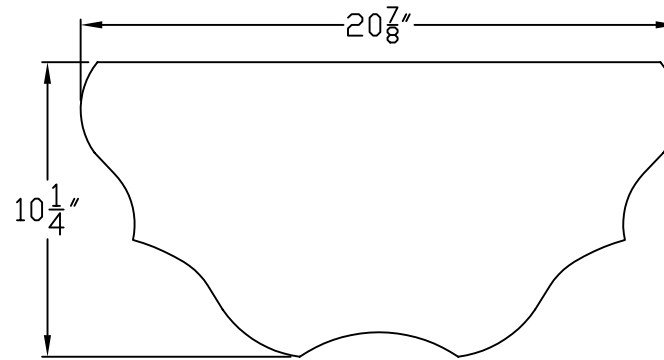
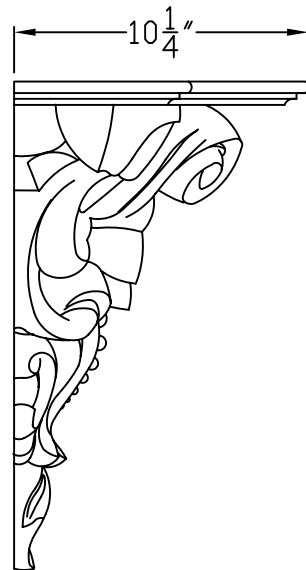


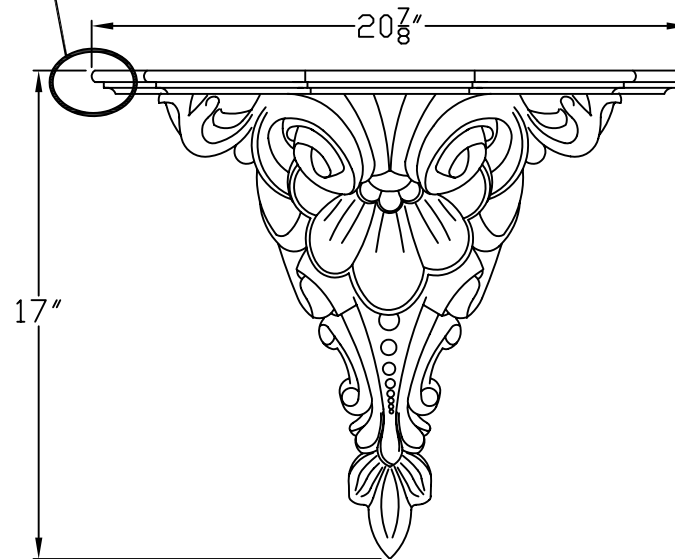
SHELF SEC.



TOP VIEW



SIDE VIEW



FACE VIEW

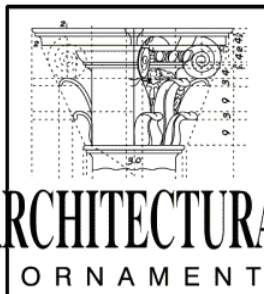
Name: DECOR ACCENT

Dimensions: W 20 7/8" x H 17" x P 10 1/4"

Material: Polyurethane

Part Number:  
**D7000**

Date: 04/27/05  
Scale: Not to scale  
Drawn By: MS



PROPERTY OF  
**ARCHITECTURAL ORNAMENT INC.**

Design Copyright © Architectural Ornament Inc. 2005. All rights reserved

55 BRADWICK DRIVE  
CONCORD, ONTARIO  
L4K 1K5

PHONE: (905) 738-9459  
800-567-3554

FAX : (905) 738-6734  
800-567-4489

[www.architectural-ornament.com](http://www.architectural-ornament.com)