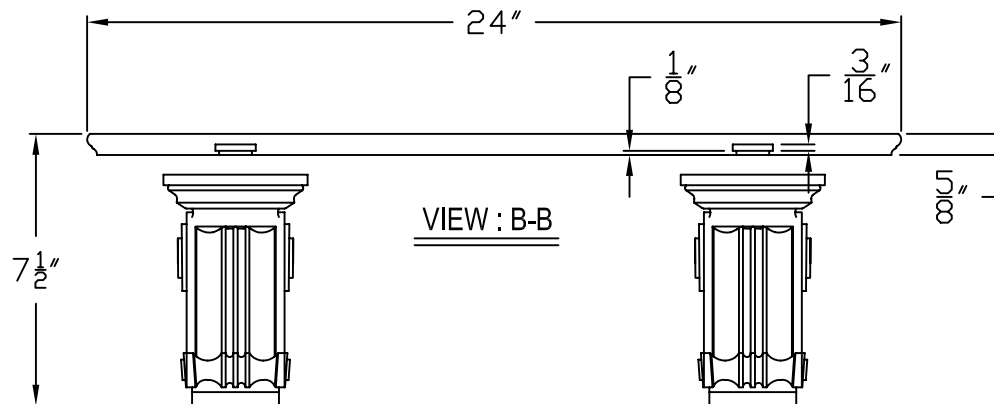


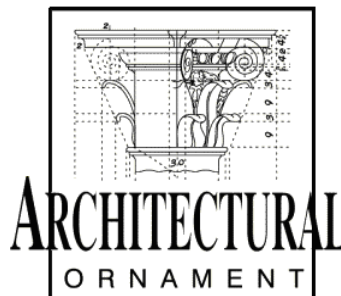
SEC : A-A



VIEW : B-B

Name: 24" SHELF WITH DECORATIVE BRACKET  
 Dimensions: W 24" x H 7 1/2" x P 6"  
 Material: Polyurethane

Part Number: **DS241**  
 Date: 09/16/04  
 Scale: Not to scale  
 Drawn By: MS



PROPERTY OF  
**ARCHITECTURAL ORNAMENT INC.**  
 Design Copyright © Architectural Ornament Inc. 2005. All rights reserved  
 55 BRADWICK DRIVE  
 CONCORD, ONTARIO  
 L4K 1K5  
 www.architectural-ornament.com  
 PHONE: (905) 738-9459  
 800-567-3554  
 FAX : (905) 738-6734  
 800-567-4489