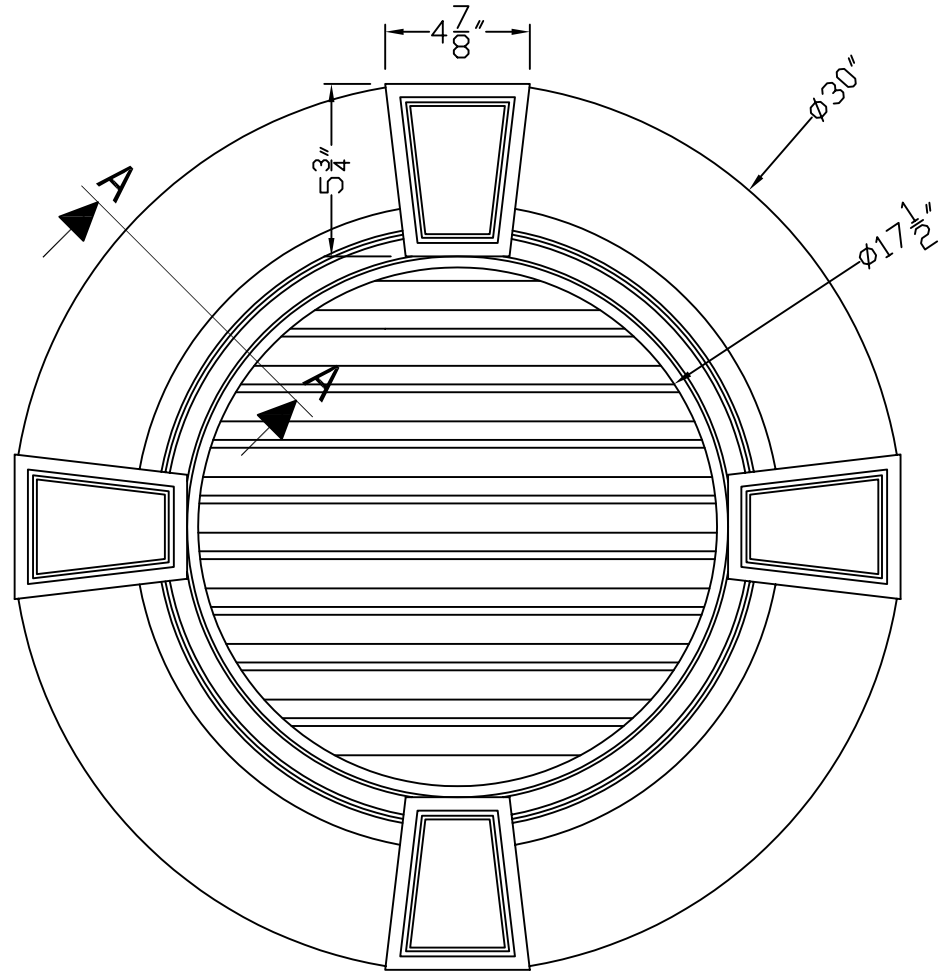
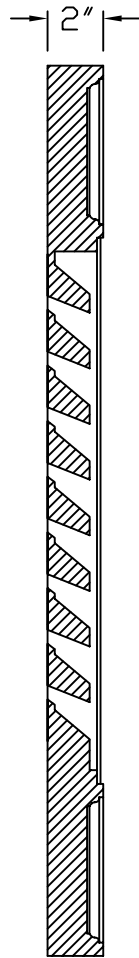


SCE : A-A



Name: Full Round Louver(functional)

Dimensions: DIA. 30", P 2"

Material: Polyurethane

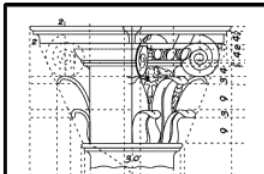
Part Number:

**G730**

Date: 05/20/04

Scale: Not to scale

Drawn By: MS



**ARCHITECTURAL**  
ORNAMENT

PROPERTY OF

**ARCHITECTURAL ORNAMENT INC.**

Design Copyright © Architectural Ornament Inc. 2005. All rights reserved

55 BRADWICK DRIVE  
CONCORD, ONTARIO  
L4K 1K5

[www.architectural-ornament.com](http://www.architectural-ornament.com)

PHONE: (905) 738-9459  
800-567-3554

FAX : (905) 738-6734  
800-567-4489