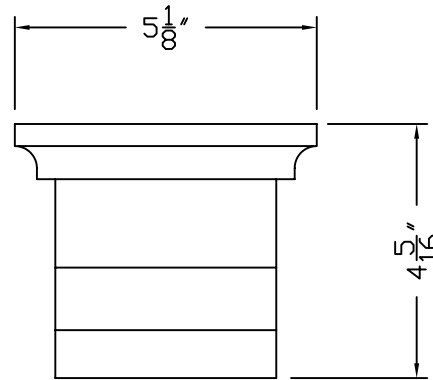
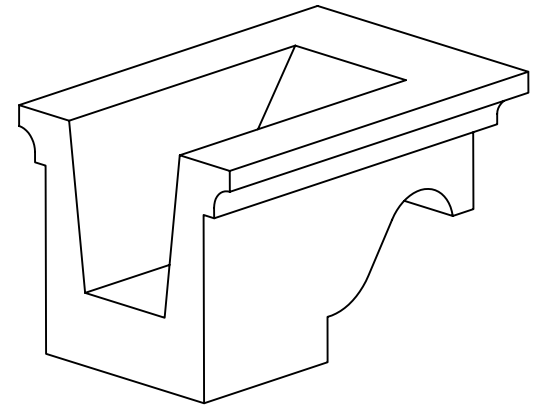
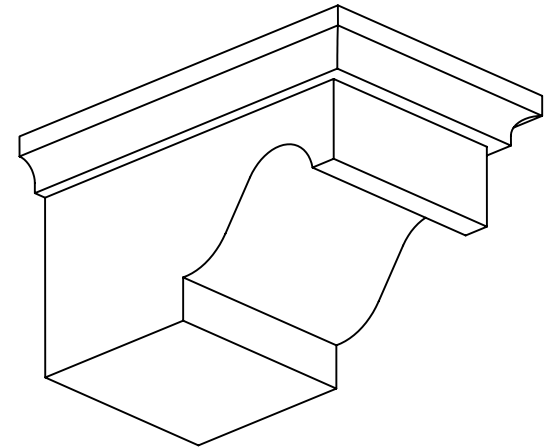


SIDE VIEW

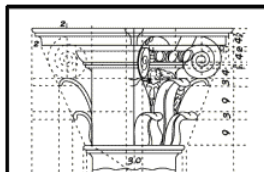


FRONT VIEW



Name:	BRACKET
Dimensions:	W 5 1/8" x H 4 5/16" x P 7 1/4"
Tolerances:	± 1/4"
Material:	Polyurethane

Part Number: P404	Date:	01/18/07
	Scale:	Not to scale
Drawn By:		MS



ARCHITECTURAL
ORNAMENT

PROPERTY OF
ARCHITECTURAL ORNAMENT INC.
Design Copyright © Architectural Ornament Inc. 2007. All rights reserved

55 BRADWICK DRIVE
CONCORD, ONTARIO
L4K 1K5

www.architectural-ornament.com

PHONE: (905) 738-9459
800-567-3554

FAX : (905) 738-6734
800-567-4489