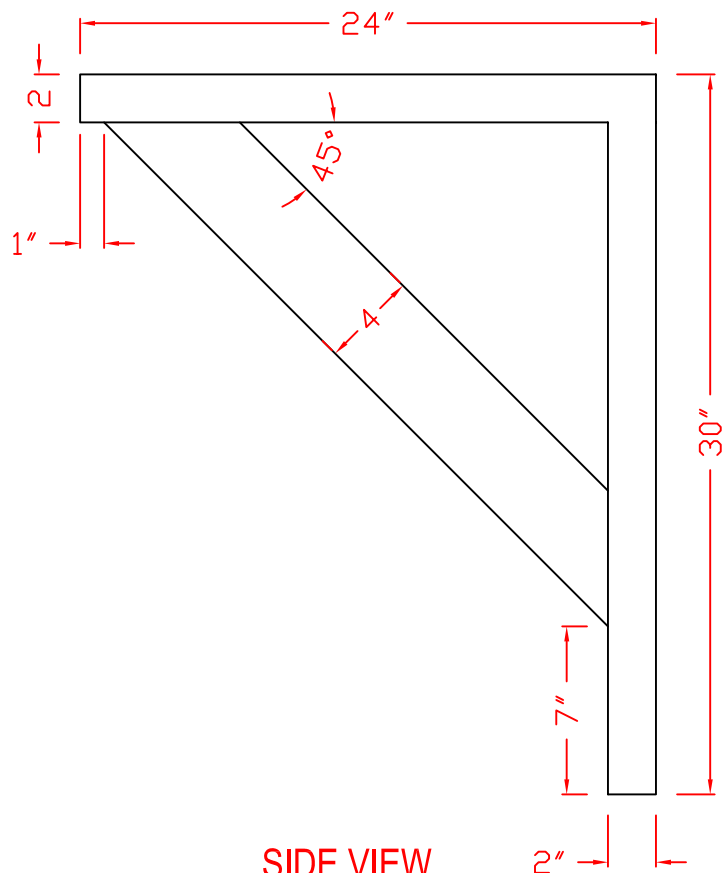
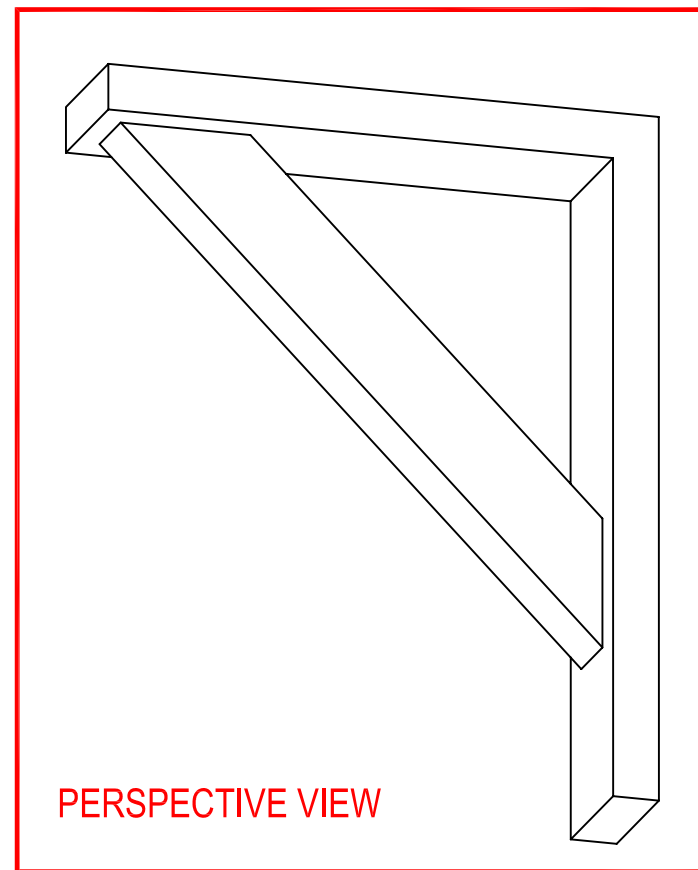


ELEVATION



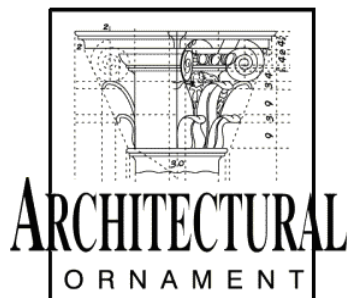
SIDE VIEW



PERSPECTIVE VIEW

Name: BRACKET
 Dimensions: W 6" x H 30" x P 24"
 Material: Polyurethane

Part Number: **P502**
 Date: 04/11/06
 Scale: Not to scale
 Drawn By: MS



PROPERTY OF
ARCHITECTURAL ORNAMENT INC.
 Design Copyright © Architectural Ornament Inc. 2005. All rights reserved
 55 BRADWICK DRIVE
 CONCORD, ONTARIO
 L4K 1K5
 www.architectural-ornament.com
 PHONE: (905) 738-9459
 800-567-3554
 FAX : (905) 738-6734
 800-567-4489