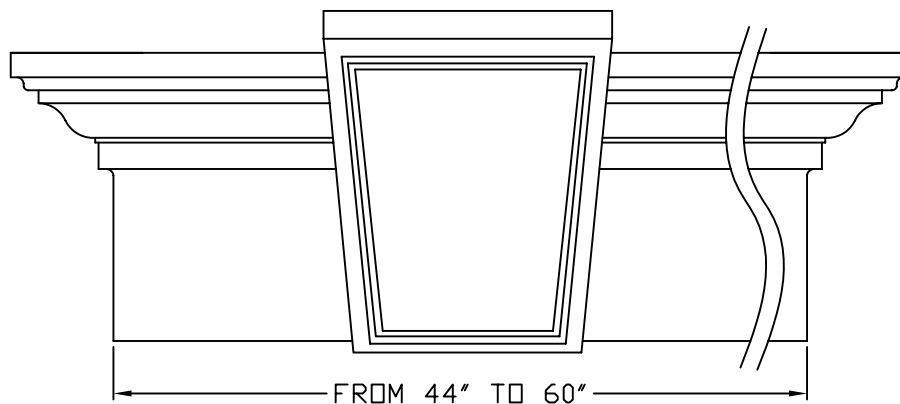
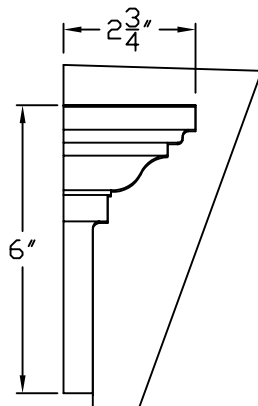
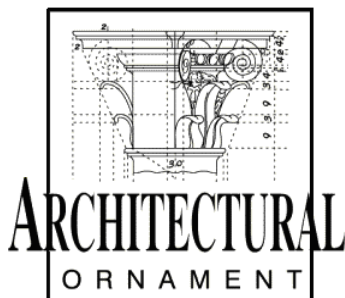


KEYSTONE DETAILS



Name: Door And Window Kits  
 Dimensions: W( FROM 44" TO 60" ) x H6" x P2 3/4"  
 Material: Polyurethane

Part Number: **WK660**  
 Date: 05/04/04  
 Scale: Not to scale  
 Drawn By:



PROPERTY OF  
**ARCHITECTURAL ORNAMENT INC.**  
 Design Copyright © Architectural Ornament Inc. 2005. All rights reserved  
 55 BRADWICK DRIVE  
 CONCORD, ONTARIO  
 L4K 1K5  
 www.architectural-ornament.com  
 PHONE: (905) 738-9459  
 800-567-3554  
 FAX : (905) 738-6734  
 800-567-4489